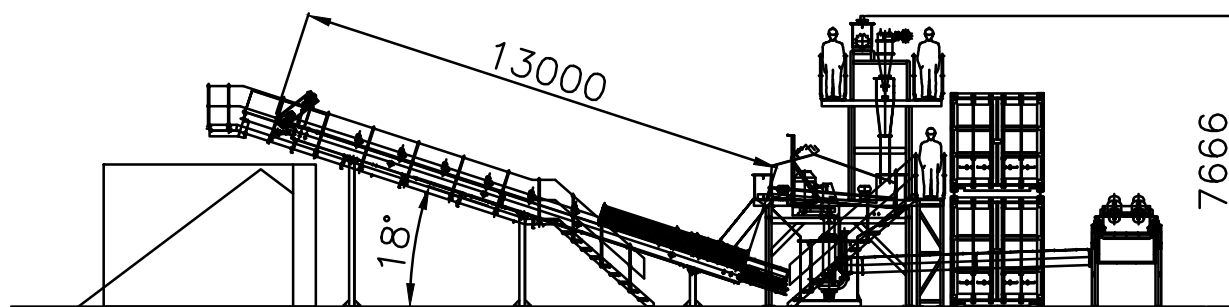


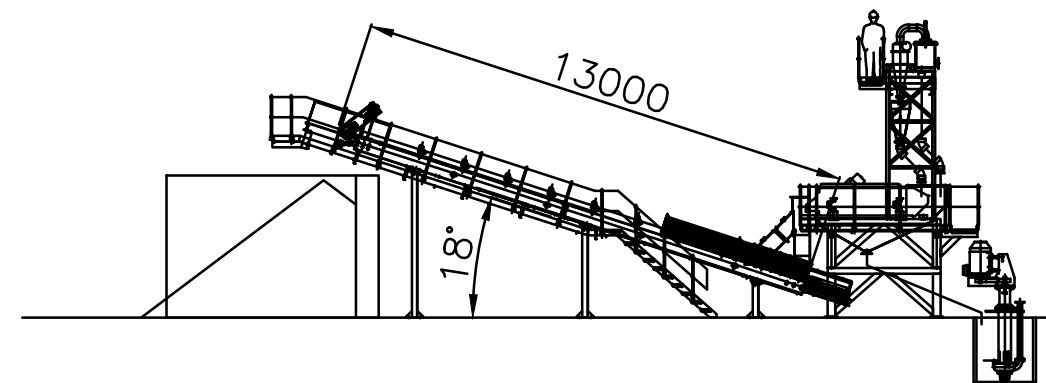
Output Stockpile

SECTION A-A

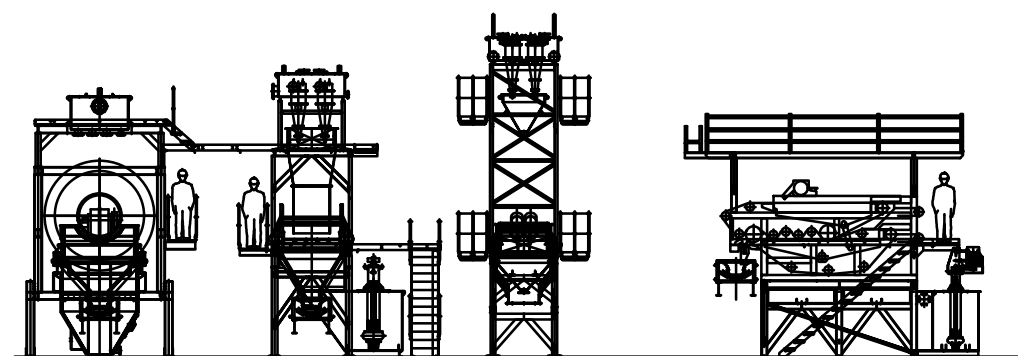
SECTION D-D



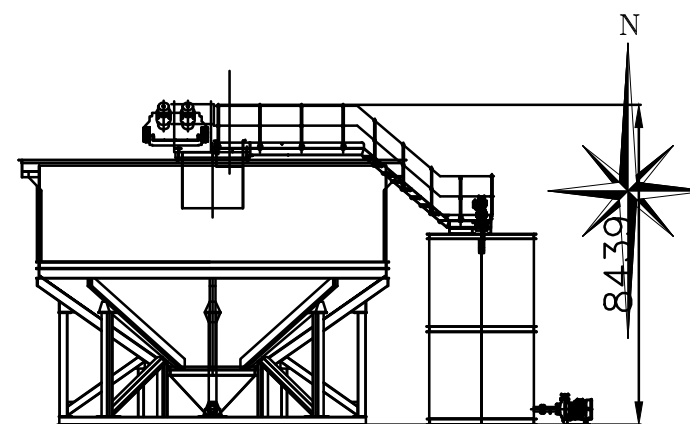
SECTION B-B



SECTION C-C




SECTION E-E



SECTION F-F

Reproduced from Superplan Data © (scale-free) by permission of Ordnance Survey © on behalf of The Controller of Her Majesty's Stationery Office. © Crown copyright 2006 all rights reserved. Licence number 100036438.

REV.	DATE	DRAWN	DESCRIPTION
<small>THIS INFORMATION IS CONFIDENTIAL AND THE PROPERTY OF BIFFA WASTE SERVICES LTD. AND IS RELEASED ON CONDITION THAT NONE OF THE INFORMATION SHALL BE DISCLOSED TO ANY THIRD PARTY OR REPRODUCED IN WHOLE OR PART WITHOUT THE PRIOR CONSENT IN WRITING OF BIFFA WASTE SERVICES LTD.</small>			
		<small>Biffa Waste Services Ltd Redhill Landfill Site Commoners Lane, Rutfield, Redhill GU11 4ER Tel: 01737 765042 Mob: 07921 386021 E-mail: phil.mumford@biffa.co.uk</small>	
PROJECT			Soil Washing Facility
LOCATION			BROOKHURSTWOOD LANDFILL SITE
DRAWING TITLE			Proposed Soil Washing Elevations
DRAWING No.		COMPUTER REF. BA039500	
DRAWN	PM	DATE	17.01.19
SCALE(S)		1:250 @A3	